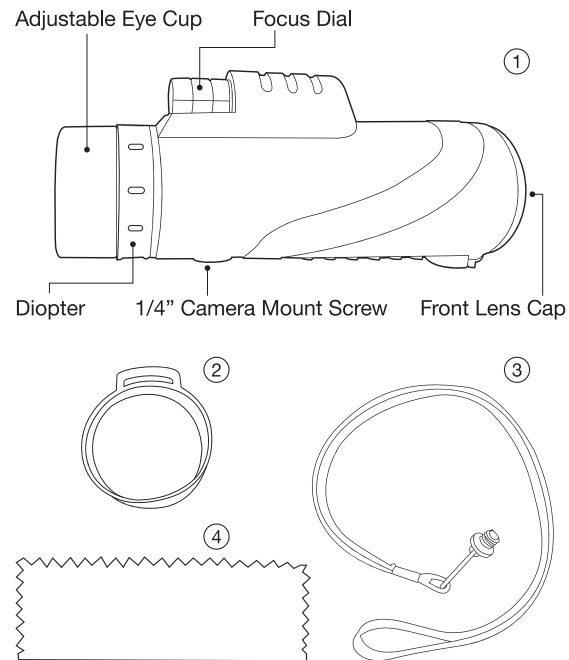


MONOCULAR TELESCOPE



What's Included:

1. Monocular telescope with integrated front lens cap
2. Rear lens cap
3. Carry strap for wrist (1/4" Camera mount screw [Male])
4. Microfiber cloth

Thank you for purchasing your new Monocular Telescope!

This manual will help you optimize your viewing experience by explaining how to adjust the optics to your eyes and how to care for it.

Read the following instructions carefully before using your monocular.

IMPORTANT SAFETY INFORMATION

WARNING: CHOKING HAZARD – Contains small parts unsuitable for children under 6 years old without adult supervision.

DANGER: NEVER LOOK DIRECTLY AT THE SUN WITH YOUR MONOCULAR AS IT MAY CAUSE SERIOUS DAMAGE TO YOUR EYES.

How to Adjust for Individual Eye Strength

As individual eyesight varies from one person to another, your Monocular Telescope has a diopter adjustment which allows you to fine-tune the monocular to your vision.

Eyecup Adjustment for Glasses

For users with eyeglasses, twist the ocular lens adjustment down for better comfort and a full field of vision. For users without eyeglasses, twist the ocular lens adjustment up to exclude extraneous light.

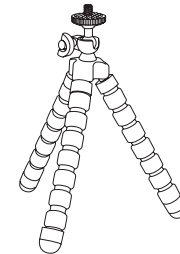
How to Focus

Simply rotate the focus dial until your subject appears as sharp as possible.

Tripod Socket

Your Monocular Telescope is compatible with a tripod. Attach a compatible tripod (optional accessory) by screwing on the threaded socket found at the bottom of your monocular.

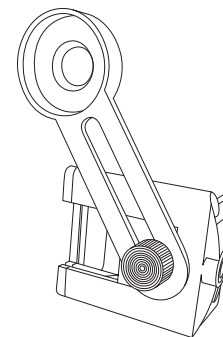
SOLD SEPARATELY



Smartphone Attachment

Your Monocular Telescope is compatible with any smartphone as a super telephoto lens for your camera. Using a compatible attachment such as the Phone Clip (optional accessory), easily attach your monocular to your device. Snap onto your smartphone, adjust over your smartphone camera lens, and be sure to tighten your monocular in place. Open your camera app and zoom in to eliminate any black borders.

SOLD SEPARATELY



Instructions for Care

1. Avoid hard impacts. Set your monocular down gently on hard surfaces.
2. Ensure your monocular is attached securely to any accessories before use.
3. Store your monocular in a cool, dry place whenever possible.

Cleaning

1. Blow away any dust or debris on the lens or use a soft lens brush. Do not rub.
2. To remove dirt or fingerprints, use a microfiber cleaning cloth and gently clean in a circular motion. Using a coarse cloth or unnecessary rubbing may scratch the lens surface, eventually causing permanent damage.
3. For a more thorough clean, use photography-type cleaning fluid or isopropyl alcohol. Always apply cleaning fluid to a cleaning cloth and never directly on the lens.

Technical Specifications

Magnification	10X
Field of View	100M/1000M
Angle of Field of View	6.5°
Lens Type	Optical Glass
Objective Lens Diameter	42 mm
Eyepiece Lens Diameter	18.5 mm
Prism Glass/Type	BAK4
Dimensions	155 x 71 x 54 mm
Product Weight	282g
Color	Black
Adaptable to Tripod	Yes
Adaptable to Smartphone	Yes (with attachment)

Customer Support

**Having difficulties setting up your device?
We are here to help!**

Please visit <https://support.starscopemonocular.com> or scan the QR code (to the right) for any urgent inquiries!

