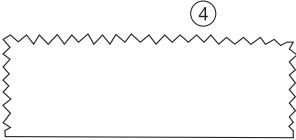
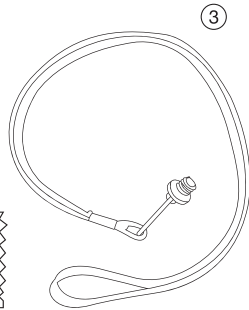
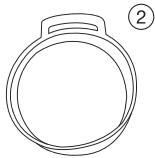
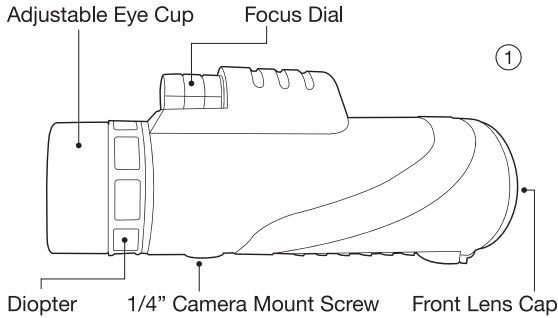




STARSCOPE MONOCULAR TELESCOPE



What's Included:

1. Monocular telescope with integrated front lens cap
2. Rear lens cap
3. Carry strap for wrist (1/4" Camera mount screw [Male])
4. Microfiber cloth

Thank you for purchasing your new monocular telescope!

The generation 2 StarScope is a single-handed use monocular telescope which is lighter and smaller than its predecessor. It has 10x zoom, 305ft / 1000 yds field of view. The lens is multi-coated with a center focus. The manual adjustable focus dial is easy to use with your index finger while holding the telescope, there is also an adjustable eye cup for your preference. There are two protective lens caps, the front cap is integrated with the telescope. The built-in 1/4" camera mount can be threaded onto the any other tripod or monopod.

This manual will help you optimize your viewing experience by explaining how to adjust the optics to your eyes and how to care for it. Read the following instructions carefully before using your monocular.

WARNING

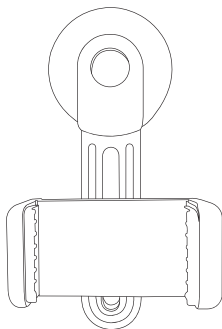
Do not disassemble and clean internal parts
Do not use the telescope to look directly at the sun

How to Use:

1. Remove both lens caps
2. Hold the telescope with one hand with your index finger resting on the top of the focus adjust dial and your pinky resting at the front.
3. Place the scope (small lens) in front of your eye and adjust the eye cup to suit your comfort so you have optimal field of view. This is good for user who wear eyeglasses or if you want to exclude extraneous light.
4. Depending on the distance of your targeted view, adjust the focus adjuster dial with your index finger until the subject in view is sharp.

Smartphone Attachment

Your monocular telescope is compatible with most smartphone. Using a compatible attachment such as the Phone Clip (sold separately), easily attach your monocular to your device. Snap onto your smartphone, adjust over your smartphone camera lens, and be sure to tighten your monocular in place. Open your camera app and zoom in to eliminate any black borders.



Instructions for Care

1. Avoid hard impacts. Set your monocular down gently on hard surfaces.
2. Ensure your monocular is attached securely to any accessories before use.
3. Store your monocular in a cool, dry place whenever possible.

Cleaning

1. Blow away any dust or debris on the lens or use a soft lens brush. Do not rub.
2. To remove dirt or fingerprints, use a microfiber cleaning cloth and gently clean in a circular motion. Using a coarse cloth or unnecessary rubbing may scratch the lens surface, eventually causing permanent damage.
3. For a more thorough clean, use photography-type cleaning fluid or isopropyl alcohol. Always apply cleaning fluid to a cleaning cloth and never directly on the lens .

Technical Specifications

Magnification	10X
Lens	Fully Multi-Coated (FMC)
Objective Diameter	44 mm
Color	Black
Exit Lens	21.25 mm
Eye Relief	8.25 mm
Prism Glass/Type	BAK4
Field of View	305 ft / 1000 yds
Dimensions	164 x 53 x 68 mm
Weight	286g
Adaptable to Tripod	Yes
Adaptable to Smartphone	Yes (with attachment)

Customer Service

Thank you for purchasing Starscope Monocular Telescope

If you have any inquiries, please visit:

<https://support.starscopemonocular.com/hc/en-us>
<https://www.monostarscope.com/g2/en/contact-us.html>

Our customer support team is happy to help!



CS Support QR



Contact Us QR