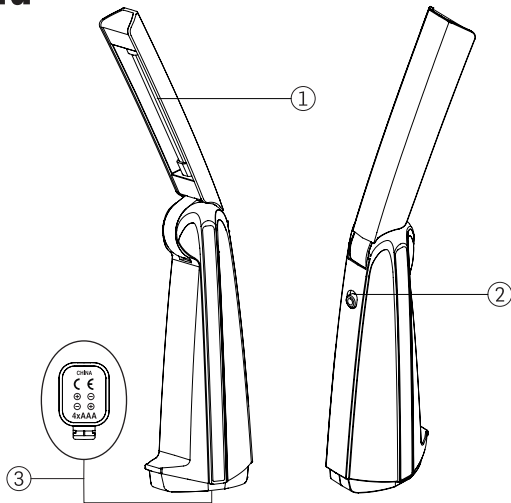


# Mobile Klean

## UVC Sanitizer Wand

1. UV Light
2. Power Button
3. Power Supply  
(4 x AAA Batteries)



### IMPORTANT SAFETY INFORMATION

**CAUTION: DO NOT ATTEMPT TO USE UVC SANITIZER WAND IF LIGHT BULB APPEARS TO BE DAMAGED.**

**CAUTION: ONLY USE PRODUCT FOR INTENDED PURPOSES.**

**WARNING: DO NOT STARE DIRECTLY INTO THE UV LIGHT FOR EXTENDED PERIODS OF TIME. OVEREXPOSURE TO ANY LIGHT SOURCE COULD CAUSE DAMAGE TO YOUR EYES.**

### Inserting Batteries

1. Open the battery compartment on the bottom of the unit by bending the tab to unlock and lift the battery door cover until it is off.
2. Insert 4 x AAA batteries in their corresponding positions.
3. To close compartment, insert the battery door cover to the edge of battery compartment and press down to snap in place.

### Using Your UVC Sanitizer Wand

1. Open the UVC Sanitizer Wand by flipping it open. Please avoid rotating the lamp head beyond the detent.
2. Turn on the switch.
3. Hold the sanitizer approximately ½" over the area you want to sanitize, with the light bulb facing down.
4. Hold the sanitizer and keep it over the area for at least 20 seconds.
5. Repeat on other areas.

### Caring Information

- If your UVC Sanitizer Wand needs cleaning, wipe with dry cloth on targeted areas. Do not attempt to clean with liquid cleansers or submerge in water.

### Technical Specifications

- Batteries: 4 x AAA (not included)
- Material: ABS

CE The device complies with the European Directives 2014/30/EU.

At the end of its service life, this product may not be disposed of in the normal household waste, but rather must be disposed of at a collection point for recycling electrical and electronic devices. The materials are recyclable according to their labelling. You make an important contribution to protecting our environment by reusing, recycling, or utilizing old devices in other ways. Please ask the municipal administration where the appropriate disposal facility is located.  
Subject to change.