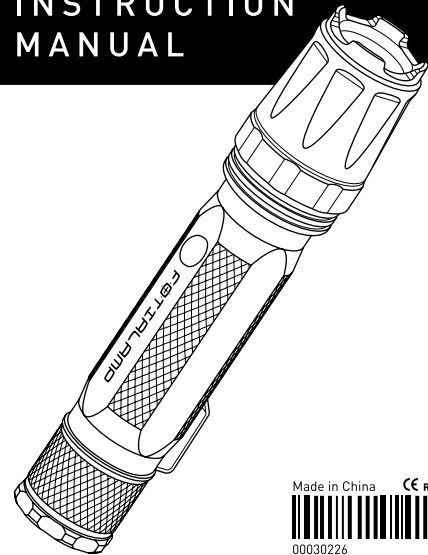


F·Θ·T·I·A·L·A·M·P

INSTRUCTION  
MANUAL

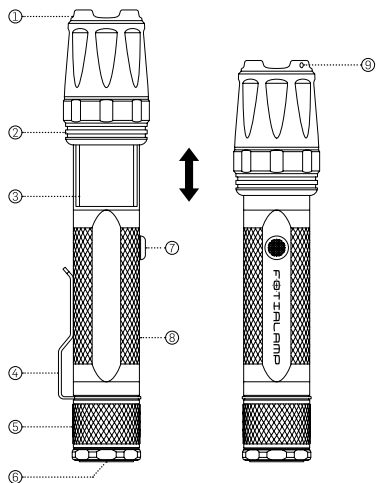


Made in China CE RoHS



00030226

# FOTIALAMP



1. Glass Breaker
2. Adjustable Focus Slider
3. COB Lantern
4. Pocket Clip
5. Battery Cap
6. Magnetic Mount
7. Power Button
8. Battery Compartment
9. Lanyard Loop

## Thank you for purchasing your new Fotialamp!

This manual will help you optimize your experience and get you started. Read the following instructions carefully before using your device.

### IMPORTANT SAFETY INFORMATION

**WARNING:**  
**THIS IS NOT A TOY**  
**GLASS BREAKER MAY BE SHARP**  
**KEEP AWAY FROM CHILDREN**

### IMPORTANT INSTRUCTIONS BEFORE USE

1. Your flashlight is splash-resistant, do not submerge the flashlight in water.
2. Don't shine directly to eyes.
3. Avoid pointing flashlight at flying aircraft.

## Switching Modes:

Half press the power button to cycle through the following modes:

1. High
2. Low
3. Strobe
4. COB Lantern

## Adjusting the Light Focus:

Simply extend the focus slider to focus the LED beam.

## COB Lantern Mode:

Simply extend the focus slider to expose COB Lantern.

## Using the Glass Breaker:

In case of entrapment in a vehicle, create a firm fist around the flashlight and strike the window corners to break free.

## Technical Specifications:

Working Voltage	3.7 - 4.2V
Working Current	2.4 - 2.6A
LED Source	10W T6 LED Bulb
Zoom Focus	1x - 2000x
Battery Required	3 x AAA or 1 x 18650 Li-Ion
LED Lumens	200
COB Lumens	80
Water Resistance	IP X4
Body Material	Aluminum
Material Finish	Hard Anodized Oxidation
Function	High - Low - Strobe - COB
Weight	180g (Excluding Battery)
Product Size	37 x 183mm

CE The device complies with the European Directives 2014/30/EU

At the end of its service life, this product may not be disposed of in the normal household waste, but rather must be disposed of at a collection point for recycling electrical and electronic devices. The materials are recyclable according to their labelling. You make an important contribution to protecting our environment by reusing, recycling, or utilizing old devices in other ways. Please ask the municipal administration where the appropriate disposal facility is located.