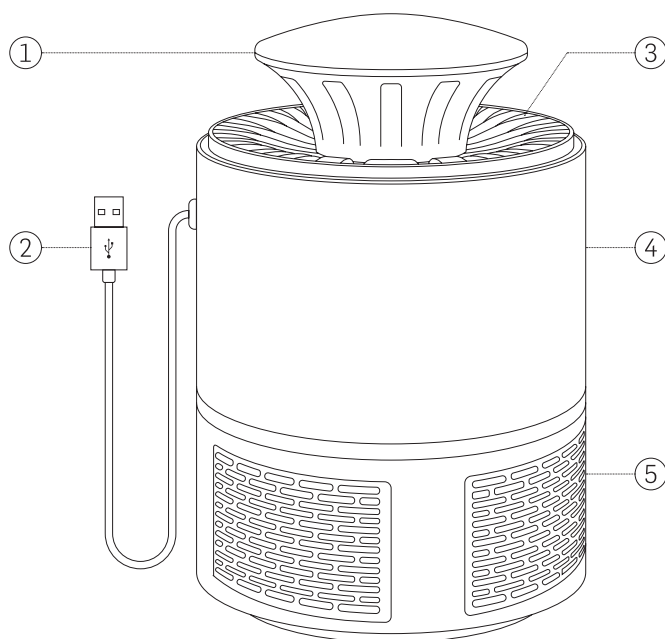


# Mosquito UV Trap

LED UV Light Mosquito Killer



1. Handle
2. USB Cord
3. LED UV Light
4. Built-In High-Speed Fan
5. Removable Dehydration Compartment

## IMPORTANT SAFETY INFORMATION

**CAUTION: UNIT CONTAINS SMALL FAN. DO NOT ATTEMPT TO PUT ANY OBJECTS INTO THE FAN WHILE IN USE.**

**WARNING: DO NOT USE IF UNIT IS WET, DAMP, OR HAS BEEN SUBMERGED IN WATER. MOISTURE MAY ALTER UNIT AND RESULT IN DEFECTIVENESS.**

## Important Instructions Before Use

- Only use device for intended purposes.
- Do not remove the dehydration compartment until 7 days after the insects have stopped moving around inside. Opening the compartment sooner will not give the device enough time to work and may allow the insects to escape.
- For best results, place Mosquito UV Trap in a dark or dim space to better attract bugs and insects.

## Using Your Mosquito UV Trap

- Plug your Mosquito UV Trap into any USB-supported power source.
- To achieve best results, let the fan run continuously for 12 hours.
- To clean out the remains of any bugs and insects, remove the dehydration compartment by firmly gripping the base of the compartment and the handle. Turn the handle counter-clockwise until the compartment is detached.
- To reattach the dehydration compartment, align the main unit and the top edge of the compartment. Firmly turn the handle clockwise until you hear a click.

## Caring Information

- When cleaning out the dehydration compartment, first discard all remains with a paper towel.
- If you wish, you may rinse out the compartment with warm, soapy water.
- If dust and debris accumulate on fan or main unit, do not attempt to submerge in water or use liquid cleansers. Use a damp cloth to wipe targeted areas.

## Technical Specifications

Dimensions	∅130x190mm
Weight	275g
Color	Black
Voltage	5V~1A
Power	5W
Light Source	UV Light

**Having difficulties setting up your device?  
We are here to help!**

Please visit <https://support.buzzbgone.com> or scan the QR code (to the right) for any urgent inquiries!

