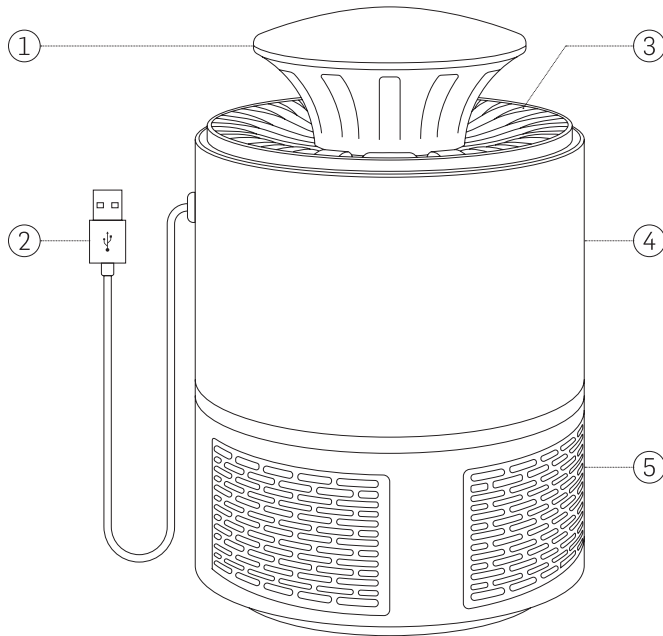


Mosquito UV Trap

LED UV Light Mosquito Killer



1. Handle
2. USB Cord
3. LED UV Light
4. Built-In High-Speed Fan
5. Removable Dehydration Compartment

IMPORTANT SAFETY INFORMATION

CAUTION: UNIT CONTAINS SMALL FAN. DO NOT ATTEMPT TO PUT ANY OBJECTS INTO THE FAN WHILE IN USE.

WARNING: DO NOT USE IF UNIT IS WET, DAMP, OR HAS BEEN SUBMERGED IN WATER. MOISTURE MAY ALTER UNIT AND RESULT IN DEFECTIVENESS.

Important Instructions Before Use

- Only use device for intended purposes.
- Do not remove the dehydration compartment until 7 days after the insects have stopped moving around inside. Opening the compartment sooner will not give the device enough time to work and may allow the insects to escape.
- For best results, place Mosquito UV Trap in a dark or dim space to better attract bugs and insects.

Using Your Mosquito UV Trap

- Plug your Mosquito UV Trap into any USB-supported power source.
- To achieve best results, let the fan run continuously for 12 hours.
- To clean out the remains of any bugs and insects, remove the dehydration compartment by firmly gripping the base of the compartment and the handle. Turn the handle counter-clockwise until the compartment is detached.
- To reattach the dehydration compartment, align the main unit and the top edge of the compartment. Firmly turn the handle clockwise until you hear a click.

Caring Information

- When cleaning out the dehydration compartment, first discard all remains with a paper towel.
- If you wish, you may rinse out the compartment with warm, soapy water.
- If dust and debris accumulate on fan or main unit, do not attempt to submerge in water or use liquid cleansers. Use a damp cloth to wipe targeted areas.

Technical Specifications

| | |
|--------------|------------|
| Dimensions | ø130x190mm |
| Weight | 275g |
| Color | Black |
| Voltage | 5V~1A |
| Power | 5W |
| Light Source | UV Light |

CE The device complies with the European Directives 2014/30/EU.

At the end of its service life, this product may not be disposed of in the normal household waste, but rather must be disposed of at a collection point for recycling electrical and electronic devices. The materials are recyclable according to their labelling. You make an important contribution to protecting our environment by reusing, recycling, or utilizing old devices in other ways. Please ask the municipal administration where the appropriate disposal facility is located.
Subject to change.