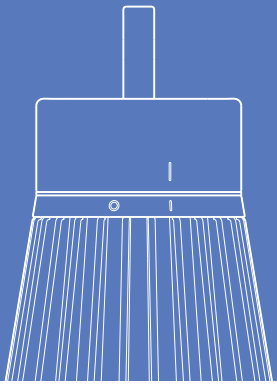




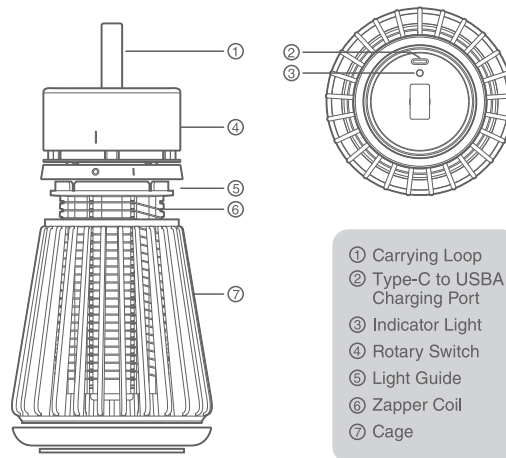
ZAP

INSTRUCTION MANUAL



V2.0

PRODUCT OVERVIEW



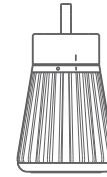
*Expanded View



Avoid contact with liquids

01

PACKAGE CONTENTS



Bug Zapper
x 1



Type-C to USB-A
Charging Cable
x 1



Cleaning
Brush
x 1



Instruction
Manual
x 1

TIPS:

1. For best results, place your BuzzBGone Zap in the area you want to use and leave it running for at least 2 hours.
2. BuzzBGone Zap works best in darker conditions, with fewer lights turned on.

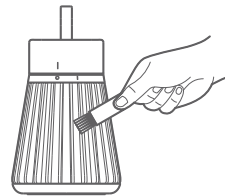
02

DIRECTIONS

1. Make sure your device is fully charged before operating. When plugged in, a red light means it's charging. The light will turn green when it's fully charged.
2. To turn on the device, simply turn the top rotary switch clockwise. When fully turned, you will hear a "click" and the lamp will light up and the top LED indicator light will turn green.
3. Place or hang the device wherever you may need, and make sure it's on a solid surface or upright.

03

EASY CLEANING GUIDE



1. Make sure the device is off before cleaning.
2. Use the brush provided to clean mosquitoes and debris from the electric grid. Empty the bottom shell into the trash and wash your hands thoroughly.
3. Avoid spraying any liquid cleaners or using metal objects to clean the device.

SPECIFICATIONS

Size	87 x 87 x 125mm
Power	1.2W
Grid Voltage	600V
Battery Capacity	1200mAh
Charging Time	4 Hours
Battery Life	3-6 Hours

04

CUSTOMER SERVICE

Thank you for purchasing BuzzBGone Zap!
If you have any inquiries, please visit:
<http://support.buzzbgone.com/>
Our customer support team is happy to help!
Scan the QR code below for your convenience:



EPA Est 97759-CHN-4

